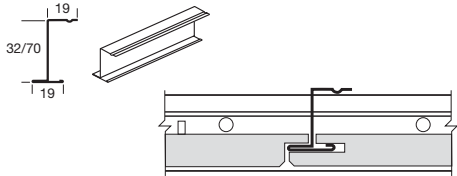
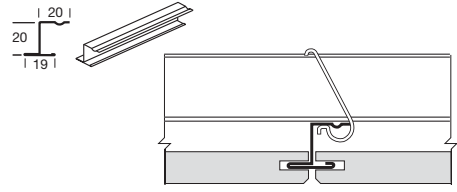
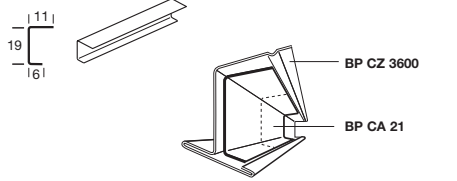
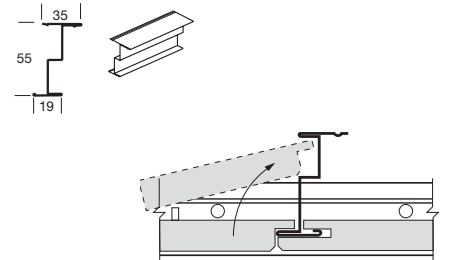
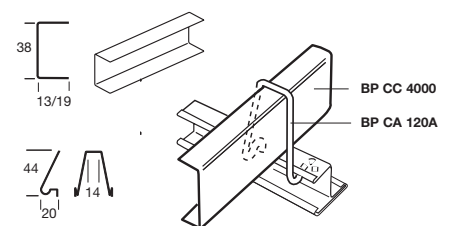
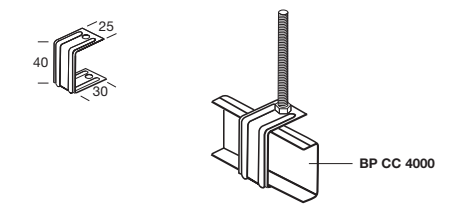


# SEMI-CONCEALED

and concealed systems

## Semi-concealed, concealed

Item Nr.	Description	Dimensions length (mm)	Carton / Content pcs	Content lm	Carton / Weight kg	
	BP CZ 41494	Deep Z 32mm	1500	20	30,00	9,40
	BP CZ 41794	Deep Z 32mm	1800	20	36,00	11,30
	BP CZ 41795	Deep Z 70mm	2500	10		
	BP CZ 3600	Z Section	3600	20	72,00	22,70
		BP CZ 3600				
BP CA 21		Z Connector	150	500	-	10,00
	BP CA5740 A	Double Height Z	4000	10	40,00	24,00
		BP CC 4000	Channel 13 x 38mm	4000	20	80,00
BP C 3000		Channel 19 x 38mm	4000	8	32,00	23,80
BP CA120A		Preformed Channel Clip	-	100	-	0,50
	BP CA97	Clamp for C-Channel	-	100	-	1,70
	BP CC 4000					

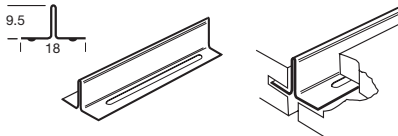
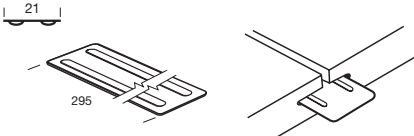
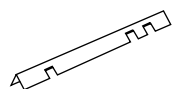
Availability of products may vary according to location.  
Please contact your local Armstrong office for specific product range information.

All measurements in millimetres. All sizes are nominal.

# SEMI-CONCEALED

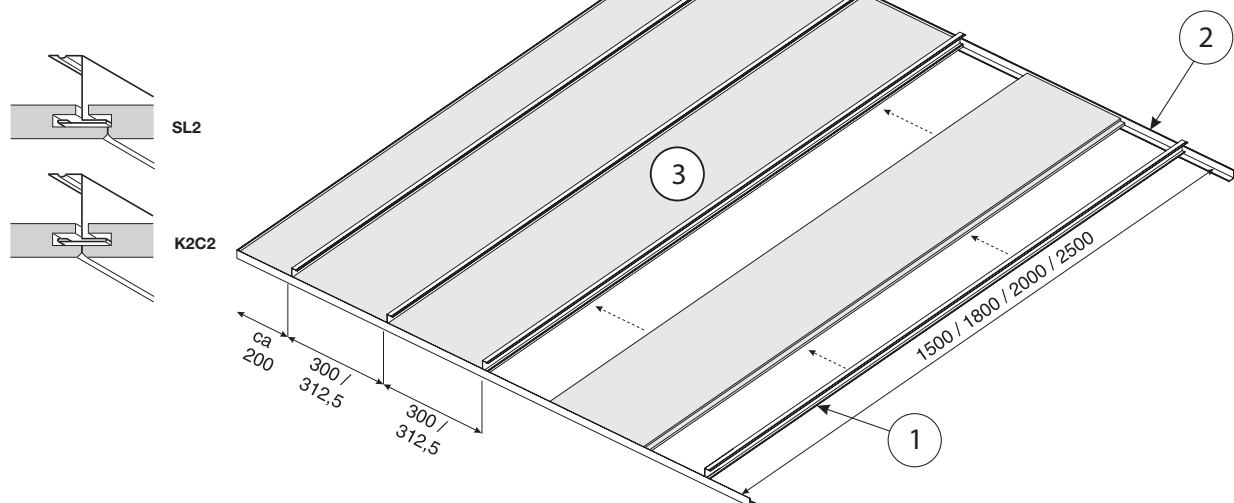
and concealed systems

## Semi-concealed, concealed

Item Nr.	Description	Dimensions length (mm)	Carton / Content pcs	Carton / Content lm	Carton / Weight kg
	BP CT600 Noggin Tee	600	100	-	8,50
	BP CA5730 Anti-Breather Spline	-	200	-	3,85
	BP CA 5733A Spacer Bar BP CA 5734 Spacer Bar	600/625 1200/1250	50 50	31,25 62,50	7,00 14,00

## System Drawing

Semi-concealed SL2/K2C2  
Corridor installation



3 Plank size	Supporting sections at	Quantities required per 1m <sup>2</sup> (no waste included)		
		1		
		Z Profile BP CZ 41494	Z Profile BP CZ 41794	Z Profile BP CZ 41795
1500 x 300 / 312,5mm	300 / 312,5mm	3,33 / 3,20 lm	-	-
1800 x 300 / 312,5mm	300 / 312,5mm	-	3,33 / 3,20 lm	-
2000 x 300 / 312,5mm	300 / 312,5mm	-	-	3,33 / 3,20 lm
2500 x 300 / 312,5mm	300 / 312,5mm	-	-	3,33 / 3,20 lm

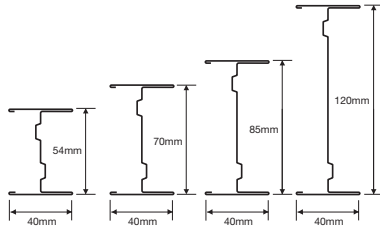
- 2 Perimeter trim according to circumference of room (as a basis 1,0 lm/m<sup>2</sup>)  
Perimeter angles should be of thicker material when corridor wider than 1,80 (BPT 2021 H - page 27)

The chart is for general guidance only.

# LONG SPAN SYSTEM

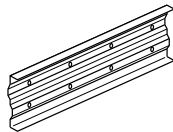
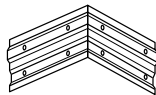
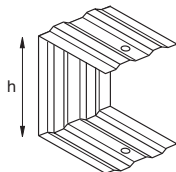
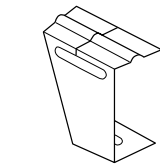


## Primary Channels



Item Nr.	Dimensions		Content / Carton pcs	Content / Carton lm	Weight / Carton kg	Cartons / Pallet
	length (mm)	height (mm)				
BP LP 546	5000	54	5	25,00	18,40	10
BP LP 706	5000	70	5	25,00	23,60	10
BP LP 856	5000	85	5	25,00	25,10	10
BP LP 120	6500	120	5	32,50	63,30	10

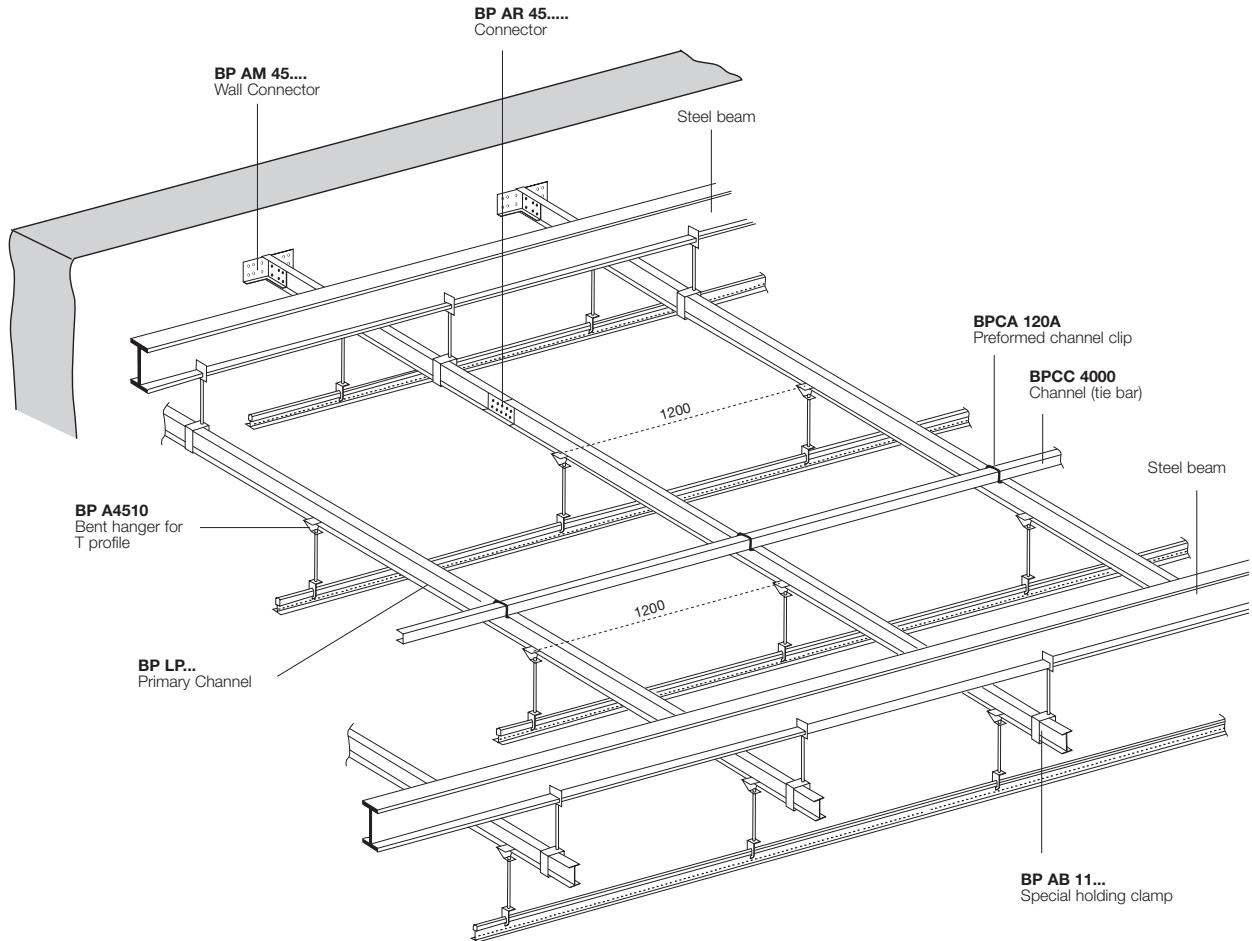
## Accessories



Item Nr.	Description	Height mm	Content / Carton pcs	Weight / Carton kg
BP A 4510	Bent hanger for T profile	-	50	2,00
BP AB 11067	Special holding clamp	54	100	3,10
BP AB 11066		70	100	4,30
BP AB 11065		85	100	4,60
BP AB 11064		120	50	3,30
BP AM 4538	Wall connection	54	25	1,30
BP AM 4536		70	25	1,70
BP AM 4534		85	25	3,20
BP AM 4529		120	25	5,90
BP AR 4537	Connector	54	25	1,90
BP AR 4535		70	25	2,30
BP AR 4533		85	25	4,20
BP AR 4528		120	25	7,00

# LONG SPAN SYSTEM

## System Drawing



## Grid Load Capacities (Long Span System)

Distance between suspensions (m)	1 tie bar										2 tie bars								
	1,25	1,50	1,75	2,00	2,25	2,50	2,75	3,00	3,25	3,50	3,75	4,00	4,25	4,50	4,75	5,00	5,50	5,75	
Item Nr.																			
BP LP 546	kg/lm	57	42	31	24	19	14	11	8	7									
BP LP 706	kg/lm		79	60	46	35	27	21	16	12	10								
BP LP 856	kg/lm				58	47	38	31	25	19	16	13	11						
BP LP 120	kg/lm									67	58	39	34	32	28	23	17	15	

Note: Uniformly distributed load kg/lm.  
Load charges in kg/lm for deflection L/300.

All measurements in millimetres. All sizes are nominal.